

COMPACT VALVE - 1/4

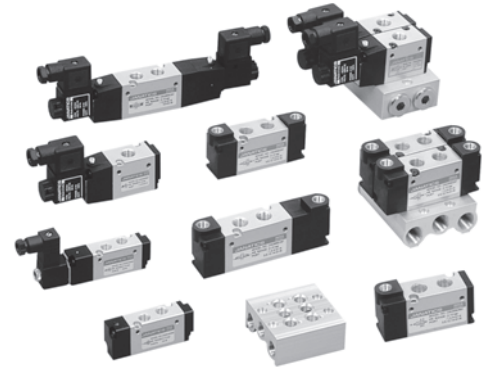
Series DS2

Cat No DS2 - 01 - 08

COMPACT VALVE - G1/4

Features

- Suitable for manifold mounting
- Mounting provision for individual unit
- Compact size
- Manual override
- Wide range of manifolds available
- Wide range of coil voltages



Important

To prevent malfunctioning of the valve while operating the manual override (or) while operating the solenoid coil, ensure to have a minimum air supply of 1200 lpm to the valve through a tube of minimum Ø8 outer diameter (with minimum Ø5.5 internal diameter)

Technical Specifications

Model	DS2	
Type	3/2	5/2 & 5/3
Design	Spool type	
Port Size	Inlet, Outlet, Exhaust - G1/4, External pilot - G1/8	Inlet, Outlet - G1/4, Exhaust, External pilot - G1/8
Flow @	1200 lts/min	Inlet to Outlet - 1200 lts/min; Outlet to Exhaust - 700 lts/min
Medium	Compressed air - Dry, filtered, lubricated	
Working Pressure range	2 to 10 bar	
External pilot pressure (ER model)	2 to 4 bar	
Recommended oil for lubrication	ISO VG32 (Servo system 32)	
Ambient temperature	-10° to +60° C	
Medium temperature	+5° to +50° C	
Materials of construction	Aluminium, Nitrile, Brass, Acetal, PBT, Zinc	
Electrical		
Coil width	22 mm	
Voltage (V) ± 10%	AC (50 Hz) - 24, 48, 110, 220	
	DC - 12, 24, 48, 110	
Power consumption	AC - 6 VA, DC - 5 W	
Duty cycle	Continuous	
Class of insulation	Class F	
Type of coil protection	IP65	

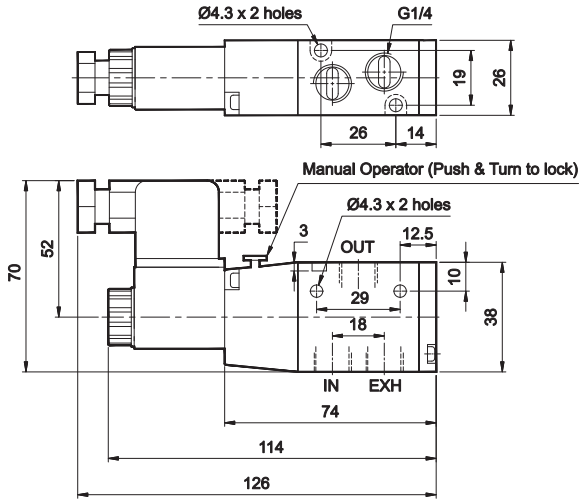
@ Inlet pressure 6 bar, and pressure drop 1 bar

COMPACT VALVE - 1/4

Series DS2

Cat No DS2 - 01 - 08

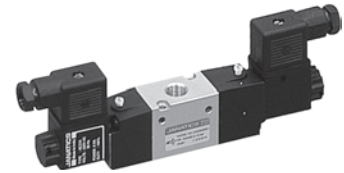
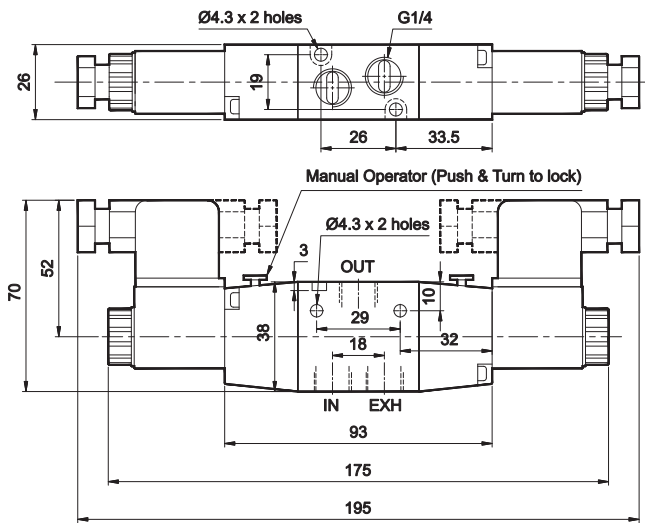
3 / 2 Single Solenoid pilot operated valve with spring return



1 - Inlet, 2 - Outlet, 3 - Exhaust

Ordering No*	DS235SR61	DS245SR61
Type	Normally open	Normally closed
Symbol		

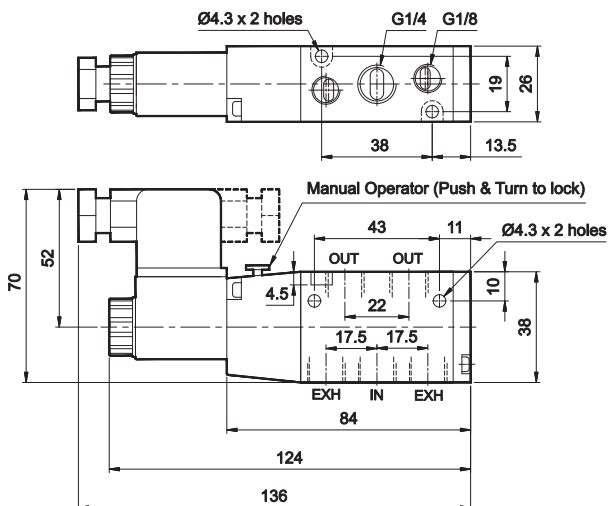
3 / 2 Double solenoid pilot operated valve



1 - Inlet, 2 - Outlet, 3 - Exhaust

Ordering No*	DS235SS61	DS245SS61
Type	Normally open	Normally closed
Symbol		

5 / 2 Single solenoid pilot operated valve with spring return



1 - Inlet, 2,4 - Outlet, 3,5 - Exhaust

Ordering No*	DS255SR61
Symbol	

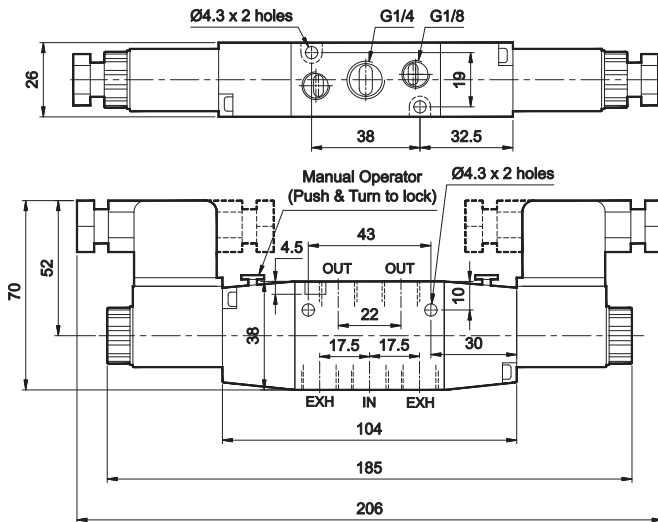
* For ordering No, voltage to be added. Refer page no. 2.3.18

COMPACT VALVE - 1/4

Series DS2

Cat No DS2 - 01 - 08

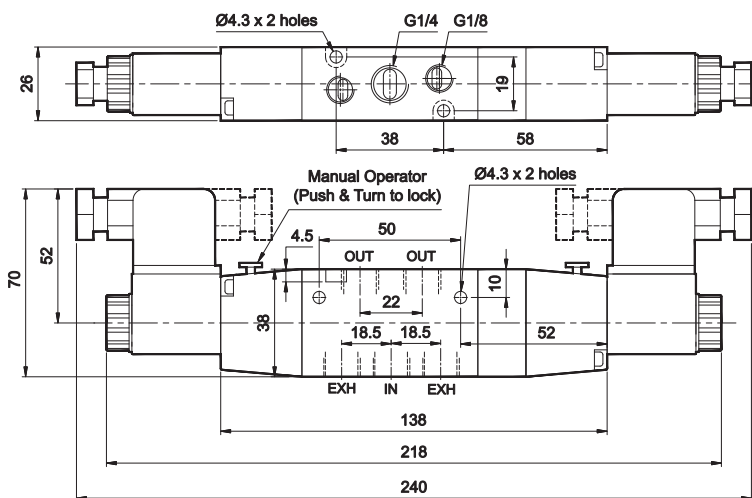
5 / 2 Double solenoid pilot operated valve



1 - Inlet, 2,4 - Outlet, 3,5 - Exhaust

Ordering No*	DS255SS61
Symbol	

5 / 3 Double solenoid pilot operated valve with spring centered



1 - Inlet, 2,4 - Outlet, 3,5 - Exhaust

Ordering No*	DS265SC61	DS275SC61	DS285SC61
Type	Blocked	Exhausted	Energised
Symbol			

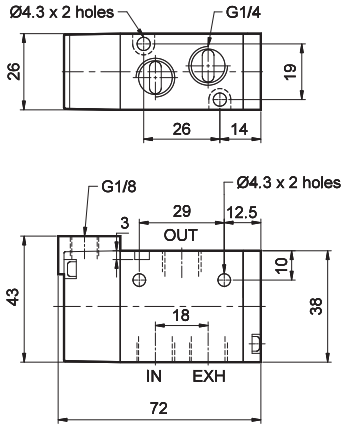
* For ordering No, voltage to be added. Refer page no. 2.3.18

COMPACT VALVE - 1/4

Series DS2

Cat No DS2 - 01 - 08

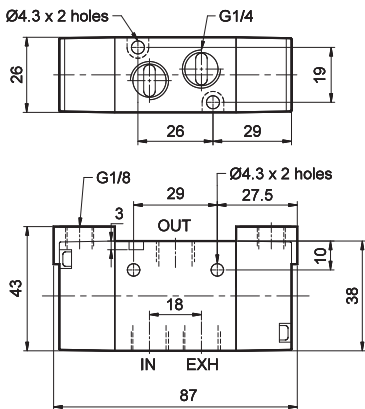
3 / 2 Single External pilot operated valve with spring return



1 - Inlet, 2 - Outlet, 3 - Exhaust, 12, 10 - External pilot

Ordering No	DS235ER61	DS245ER61
Type	Normally open	Normally closed
Symbol		

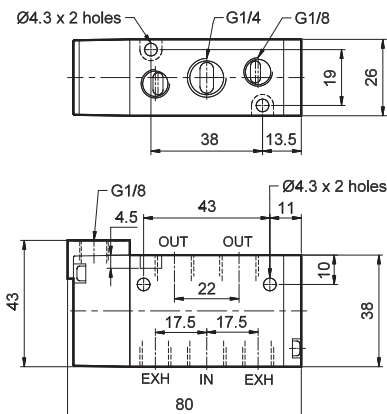
3 / 2 Double External pilot operated valve



1 - Inlet, 2 - Outlet, 3 - Exhaust, 12, 10 - External pilot

Ordering No	DS235EE61	DS245EE61
Type	Normally open	Normally closed
Symbol		

5 / 2 Single External pilot operated valve with spring return



1 - Inlet, 2,4 - Outlet, 3,5 - Exhaust, 14 - External pilot

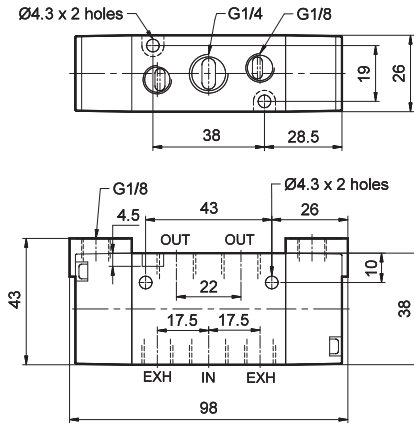
Ordering No	DS255ER61
Symbol	

COMPACT VALVE - 1/4

Series DS2

Cat No DS2 - 01 - 08

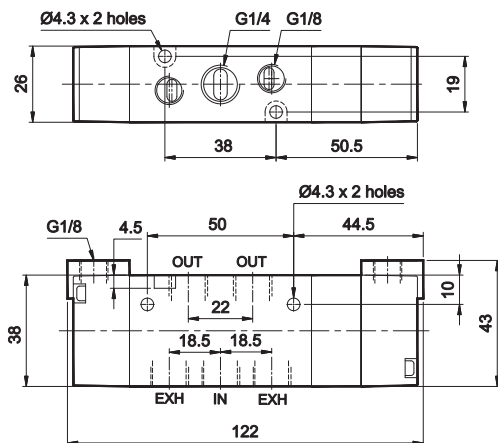
5 / 2 Double External pilot operated valve



1 - Inlet, 2,4 - Outlet, 3,5 - Exhaust,
14, 12 - External pilot

Ordering No	DS255EE61
Symbol	

5 / 3 Double External pilot operated valve with spring centered



1 - Inlet, 2,4 - Outlet, 3,5 - Exhaust, 14,12 - External pilot

Ordering No	DS265EC61	DS275EC61	DS285EC61
Type	Blocked	Exhausted	Energised
Symbol			

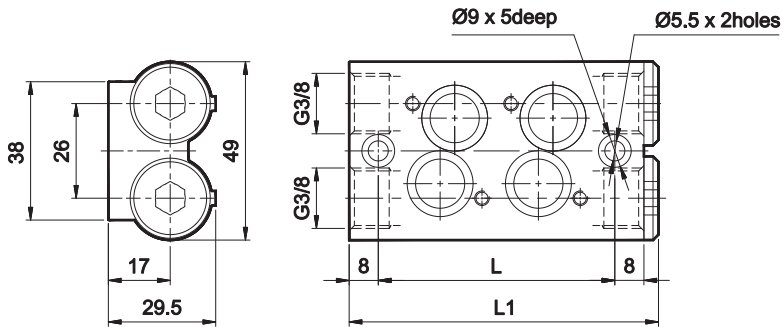
COMPACT VALVE - 1/4

Series DS2

Cat No DS2 - 01 - 08

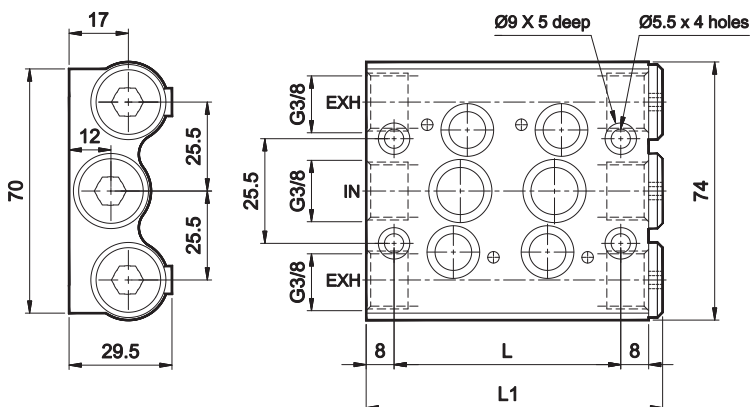
MANIFOLDS FOR COMPACT VALVE

Manifold - Type M051 (for 3/2 valves)



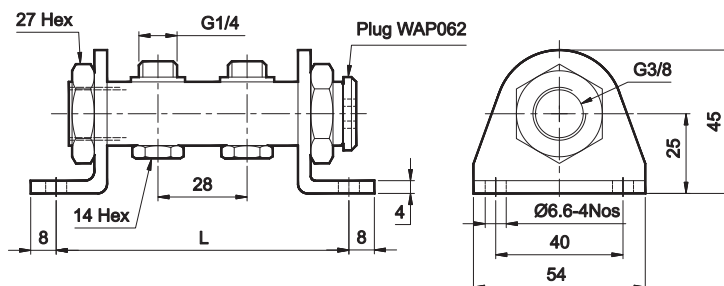
For mounting	L	L1	Ordering No
2 valves	65	85	M0510202
4 valves	119	139	M0510204
6 valves	173	193	M0510206
8 valves	227	247	M0510208

Manifold - Type M003 (for 5/2, 5/3 valves)



For mounting	L	L1	Ordering No
2 valves	65	85	M0030202
4 valves	119	139	M0030204
6 valves	173	193	M0030206
8 valves	227	247	M0030208

Manifold - Type M004 (for 3/2, 5/2, 5/3 valves)



For mounting	L	Ordering No
2 valves	92	M0040202
4 valves	148	M0040204
6 valves	204	M0040206
8 valves	260	M0040208

Note: While mounting 3/2 compact valves in M004 type manifold, use only AS0161 silencers

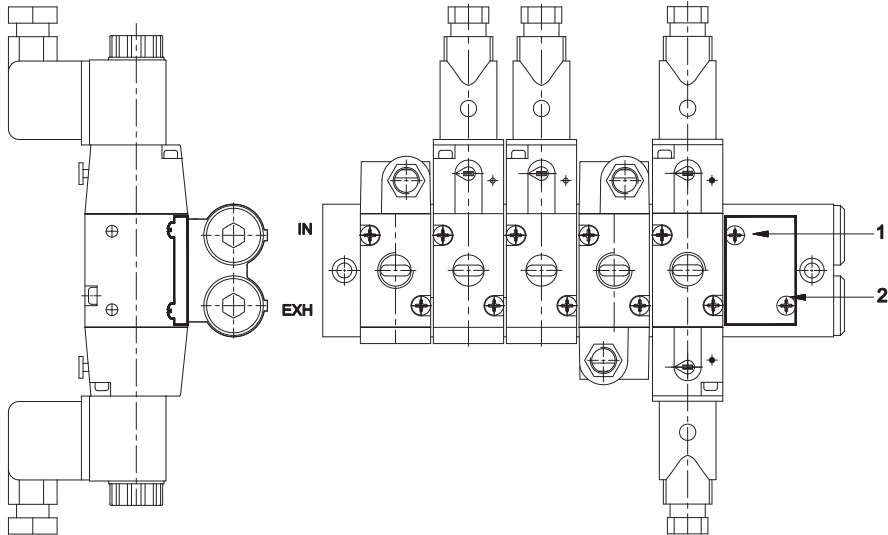
COMPACT VALVE - 1/4

Series DS2

Cat No DS2 - 01 - 08

ACCESSORIES FOR COMPACT VALVE

Cover plate assembly for Manifold Type M051

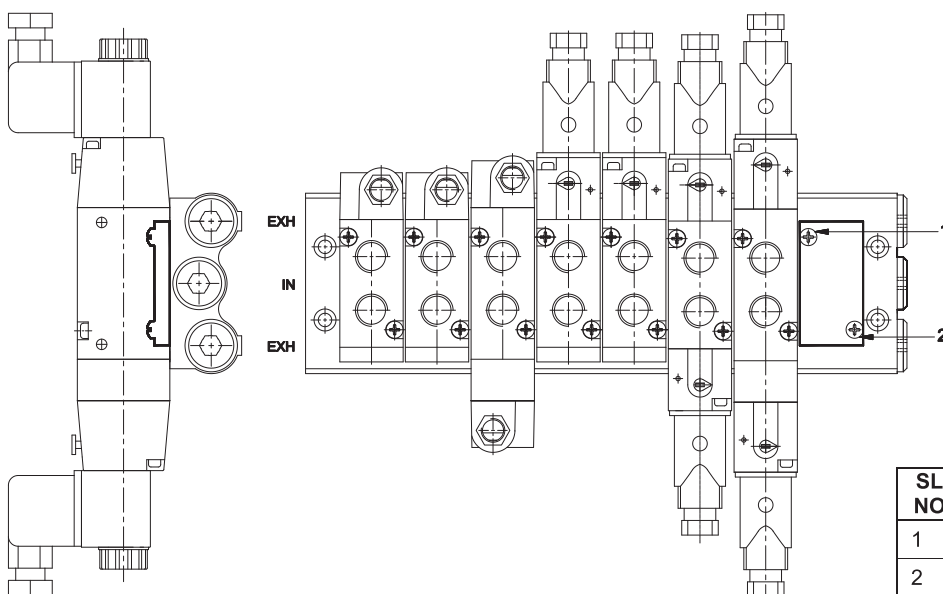


Sl. No.	Item	Qty.	Ordering No
1	Cover plate	1	A4C03
2	Screw – M4X0.7	2	

Application:

The cover plate assembly can be used to plug the unutilised position in a manifold. For eg., if it is required to mount only 5 valves on manifold no. M0510206, the sixth position can be plugged and made dummy using a cover plate assembly. (refer picture above)

Cover plate assembly for Manifold Type M003



SL. NO.	Item	Qty.	Ordering No
1	Cover plate	1	A4C02
2	Screw – M4X0.7	2	

Application:

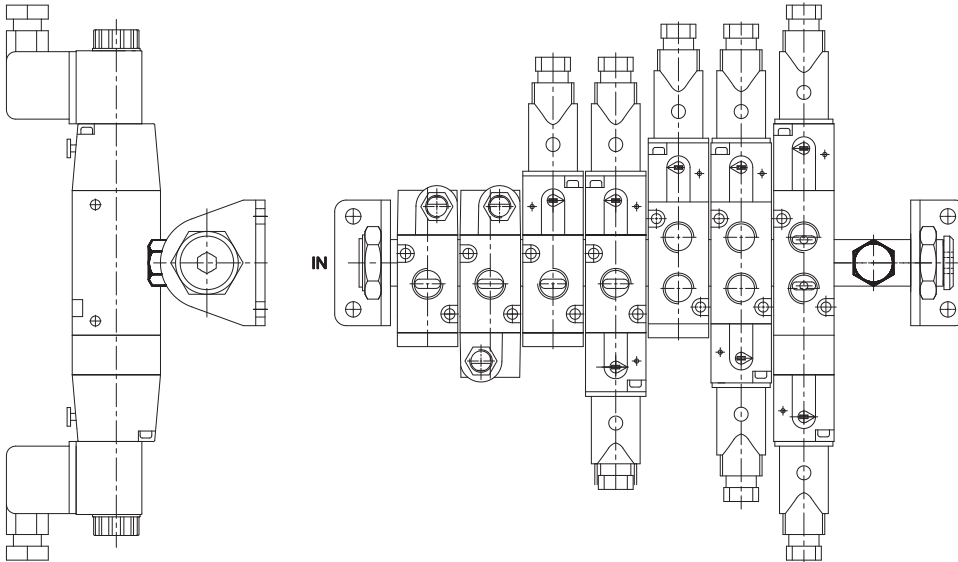
The cover plate assembly can be used to plug the unutilised position in a manifold. For eg., if it is required to mount only 7 valves on manifold no. M0030208, the eighth position can be plugged and made dummy using a cover plate assembly. (refer picture above)

COMPACT VALVE - 1/4

Series DS2

Cat No DS2 - 01 - 08

Dummy plug for Manifold Type M004



Item	Ordering No
Dummy plug	A4C01

Application:

This dummy plug can be used to plug the unutilised position in a manifold. For eg., if it is required to mount only 7 valves on manifold no. M0040208, the eighth position can be plugged and made dummy using a dummy plug. (refer picture above)

COMPACT VALVE - 1/4

Series DS2

Cat No DS2 - 01 - 08

How to order

1. Solenoid valve + “ Connectors without LED ”

While ordering Solenoid operated valves, please mention the suffix given below along with the model number to indicate the required voltage



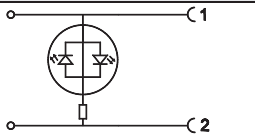
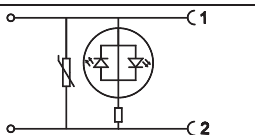
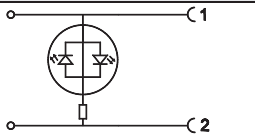
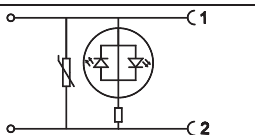

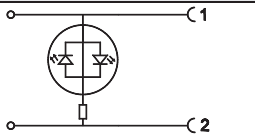
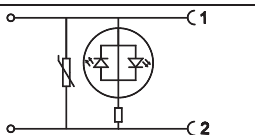
A 220V AC	Q 110V D C
B 110V AC	S 48V D C
D 48V AC	W 24V D C
G 24V AC	R 12V D C

Example

- a. The ordering no. for 3/2 NC Single solenoid valve, 24V D.C coil with PG cable is **DS245SR61-W**
- b. The ordering no. for 3/2 NC Single solenoid valve, 24V D.C coil with Moulded cable is **DS245SR61-W1**

2. Solenoid valve + “ Connectors with LED ”

While ordering Solenoid operated valves with LED connectors, given below in the corresponding tables.

 <table border="1" style="width: 100%; border-collapse: collapse;"> <thead> <tr> <th colspan="2">Voltage</th> </tr> </thead> <tbody> <tr> <td style="width: 20px;">A</td> <td>220V AC</td> </tr> <tr> <td>G</td> <td>24V AC</td> </tr> <tr> <td>W</td> <td>24V DC</td> </tr> </tbody> </table>	Voltage		A	220V AC	G	24V AC	W	24V DC	 <table border="1" style="width: 100%; border-collapse: collapse;"> <thead> <tr> <th colspan="2">Housing Colour & Indication</th> </tr> </thead> <tbody> <tr> <td style="width: 20px; text-align: center;">T0</td> <td>  Transparent housing with Bipolar LED indicator confirming supply voltage </td> </tr> <tr> <td style="text-align: center;">T1</td> <td>  Transparent housing with Bipolar LED indicator confirming supply voltage plus varistor to give over voltage protection to the source and load </td> </tr> </tbody> </table>	Housing Colour & Indication		T0	 Transparent housing with Bipolar LED indicator confirming supply voltage	T1	 Transparent housing with Bipolar LED indicator confirming supply voltage plus varistor to give over voltage protection to the source and load	R <table border="1" style="width: 100%; border-collapse: collapse;"> <thead> <tr> <th colspan="2">LED colour</th> </tr> </thead> <tbody> <tr> <td style="width: 20px;">R</td> <td>Red</td> </tr> </tbody> </table>	LED colour		R	Red	 <table border="1" style="width: 100%; border-collapse: collapse;"> <thead> <tr> <th colspan="2">Connection type</th> </tr> </thead> <tbody> <tr> <td style="width: 20px;">0</td> <td>PG Cable entry</td> </tr> <tr> <td>1</td> <td>Moulded cable (with 2metre length)</td> </tr> </tbody> </table>	Connection type		0	PG Cable entry	1	Moulded cable (with 2metre length)
Voltage																											
A	220V AC																										
G	24V AC																										
W	24V DC																										
Housing Colour & Indication																											
T0	 Transparent housing with Bipolar LED indicator confirming supply voltage																										
T1	 Transparent housing with Bipolar LED indicator confirming supply voltage plus varistor to give over voltage protection to the source and load																										
LED colour																											
R	Red																										
Connection type																											
0	PG Cable entry																										
1	Moulded cable (with 2metre length)																										

Example

The Ordering no for 3/2 NC Single solenoid valve (1/4"), 24V DC, connectors with LED of Transparent colour housing with Bipolar LED and varistor, Red colour LED with moulded cable: **DS245SR61-WT1R1**

Coil spare ordering no.

Coil (without connector)	Ordering no.	
	AC	DC
Voltage		
220	AC23A	- NA -
110	AC23B	DC24Q
48	AC23D	DC24S
24	AC23G	DC24W
12	- NA -	DC24R